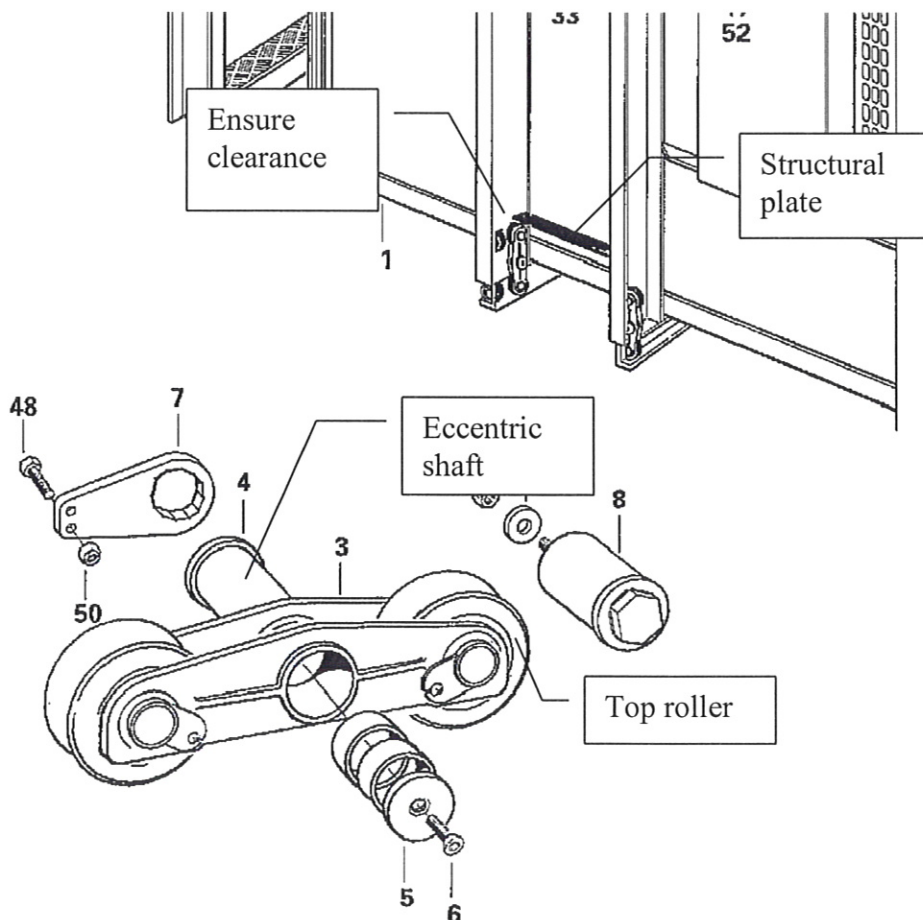


Utfärdare Issued by Aussteller	B.Nyström /BN	Datum Date Datum	2009-06-11	Produkt Product Produkt	SC 650
Från maskin nr. From machine No. Von Maschine Nr.	All	Till To Zu	-	Berör/Concerns/Betrifft	Adusting of lower roller assembly

Adjusting of lower front roller assembly.

To avoid unnessary wearing of the roller and noise:

Adjust the roller assembly by turning the eccentric shaft in such a way that a clearance between the top roller and the structural plate always is achieved.



Please forward this instruction to all people concerned before inserting it in your Service Manual under index 2, Service Instructions!

Form approved by Patrik Sundqvist, After Sales Manager. Date: 2009-02-02