

Utfärdare Issued by Aussteller	Bertil Nyström	Datum Date Datum	2011-01-03	Produkt Product Produkt	Scando 450 and Scando 650
Från maskin nr. From machine No. - Von Maschine Nr.	-	Till To Zu	-	Berör/Concerns/Betrifft Change of oil in hydraulic ramp	

Change of oil in the hydraulic ramp part. No. 9109030-000 rev. A

Remark !

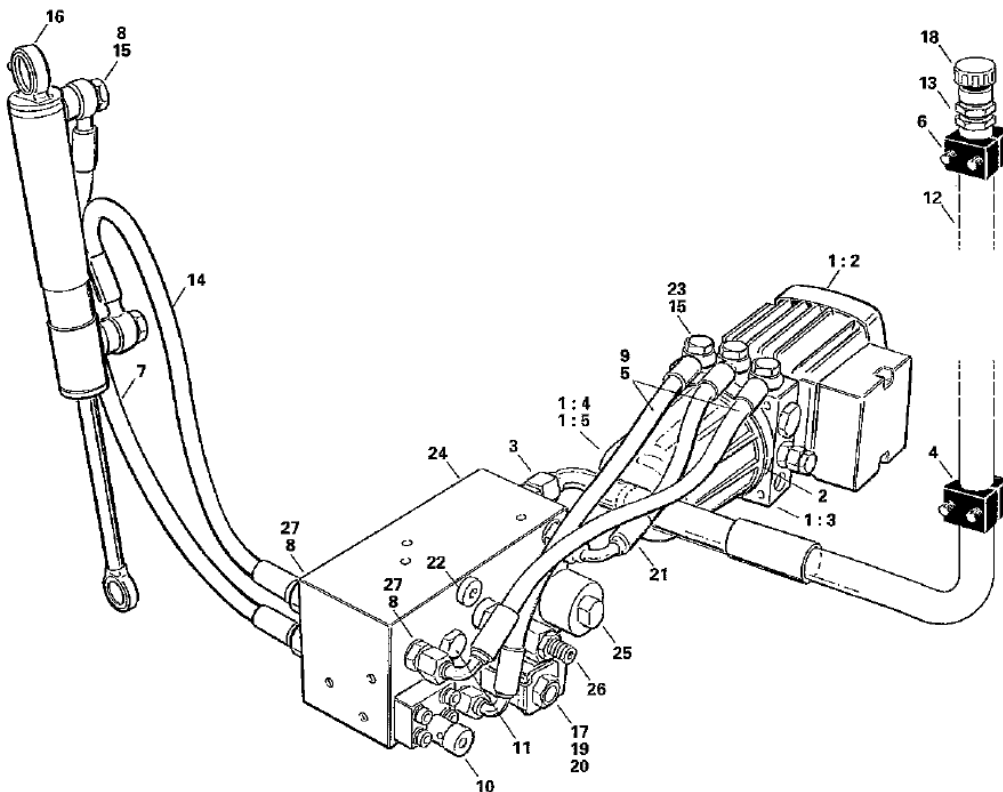
See actual Spare Parts Manual for part Nos. of included components.

See actual Service and Maintenance Manual for regular service.

- Approx. 2 L oil is needed. Part No. 3001395-020 (1 L Bottle)
Oil type with a wide temperature range and good low temperature characteristic.
- Oil filter Part No. 3002302-625

Note !

Keep clean during the oil change.



Please forward this instruction to all people concerned before inserting it in your Service Manual under index 2, Service Instructions!

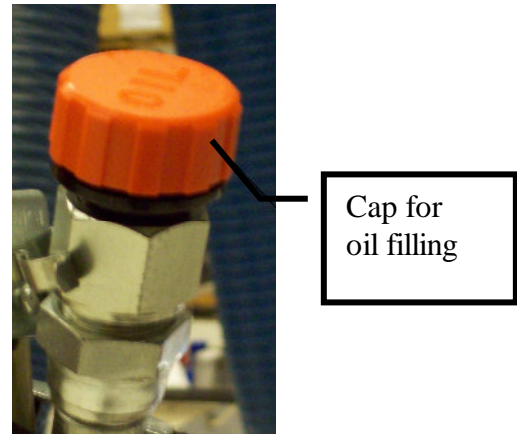
Form approved by Patrik Sundqvist, After Sales Manager. Date: 2009-02-02

Alimak Hek AB

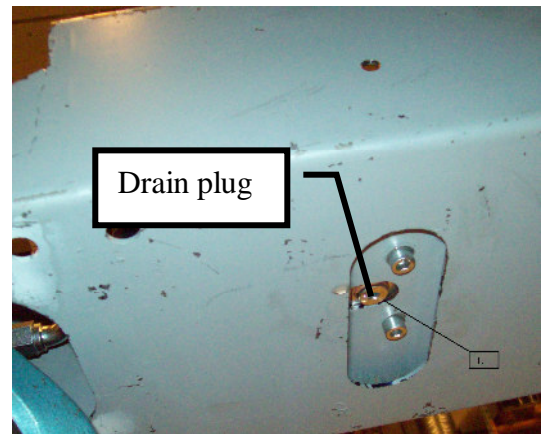
2(3)

Procedure:

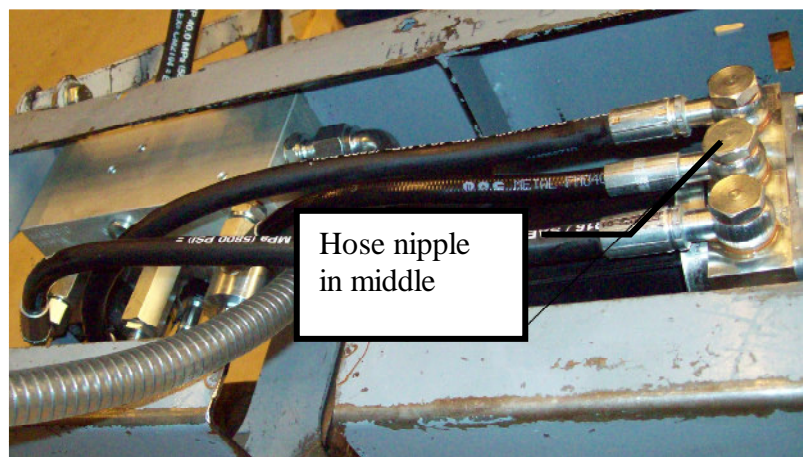
1/
Remove the cap for refilling the oil on the plastic hose.
Item 18.



2/
Remove the plug in the valve block for the pump unit
located under the door threshold and let the oil drain out.
Item 1:3



3/
Remove also the hose nipple in the
middle connected on the same valve
block to achieve better air drainage.



Please forward this instruction to all people concerned before inserting it in your Service Manual under index 2, Service Instructions!

Form approved by Patrik Sundqvist, After Sales Manager. Date: 2009-02-02

Alimak Hek AB

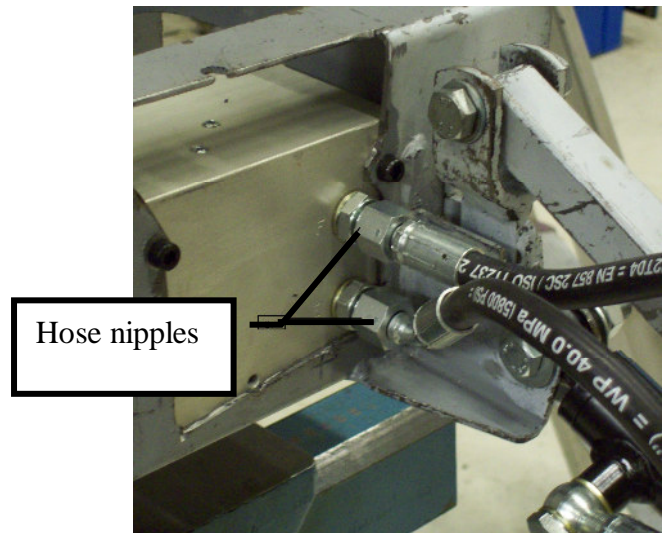
3(3)

4/

Then remove the two hose connections on the valve block item 24, for the cylinder.

Pull/push the cylinder piston a number of times so that the oil is drained.

Note the angle of the hose connection nipple so that the position will be the same at assembly.



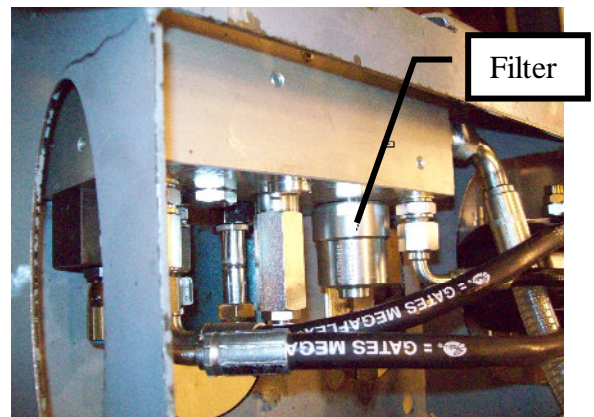
5/

Assemble all the removed hose connections and the drainage plug under the valve block.

6/

Remove the filter cover item 25 and change the filter insert.

Then mount the complete filter.



7/

Fill new oil in the filling hose and air drain the system in accordance with the instruction in the Service and Maintenance Manual.

Please forward this instruction to all people concerned before inserting it in your Service Manual under index 2, Service Instructions!

Form approved by Patrik Sundqvist, After Sales Manager. Date: 2009-02-02