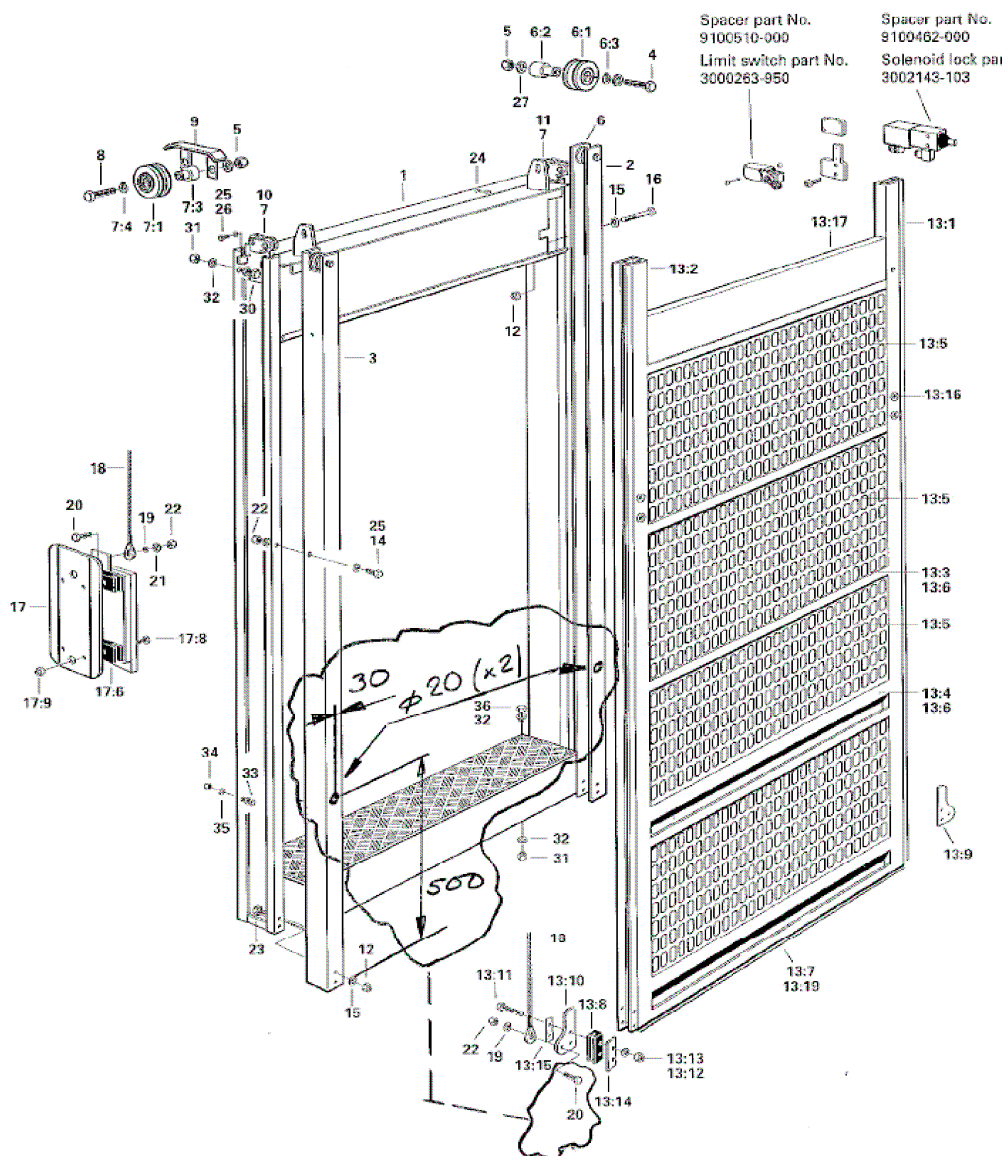


SERVICE INSTRUCTION MS 6/08 E

Utfärdare Issued by Aussteller Bertil Nyström	Datum Date Datum 2008-09-30	Produkt Product Produkt Scando 450 and 650
Från maskin nr. From machine No. Von Maschine Nr.	Till To Manufactured before year 2007	Berör/Concerns/Betrifft Wire rope attachment for cage door

In order to make it easier to change the wire rope for the cage door (with counterweight or bi-parting door) extra holes can be drilled on the door frames. This gives better access for removing/mounting the screw item 20 in below drawing.



Please forward this instruction to all people concerned before inserting it in your Service Manual under index 2, Service Instructions!