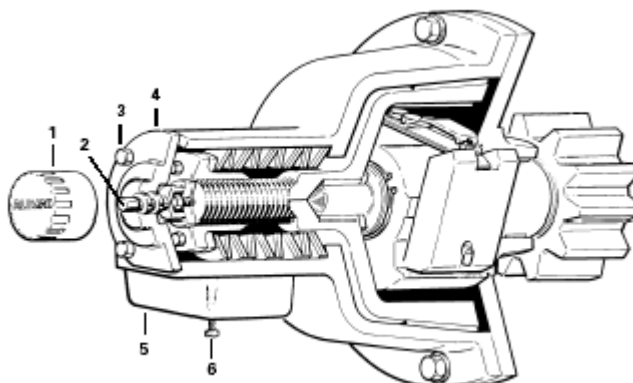


Utfärdare Issued by Aussteller Bertil Nyström	Datum Date Datum 2005-10-24	Produkt Product Produkt Scando FC 24/32 TD Scando FC 28/37 TD
Från maskin nr. From machine No. - Von Maschine Nr.	Till To - Zu	Berör/Concerns/Betrifft Safety device

Safety devices for construction hoists type:

SC FC 24/32 TD with safety device part No. 0196784-238

SC FC 28/37 TD with safety device part No. 0196784-514



The safety devices on these hoists have had a too low setting of the spring force. Due to this fact, the stopping distance has sometimes become too long during drop tests with rated load .

The safety devices, with the same part numbers as before, have now got a higher preset spring force which will reduce the stopping distance. When an exchange safety device is ordered, the safety device will automatically get the higher spring force setting.

Please forward this instruction to all people concerned before inserting it in your Service Manual under index 2, Service Instructions!

Form approved by Anders Nilsson, After Sales Manager. Date: 2005-02-28

Alimak AB

Please forward this instruction to all people concerned before inserting it in your Service Manual under index 2, Service Instructions!

Form approved by Anders Nilsson, After Sales Manager. Date: 2005-02-28