

SERVICE INSTRUCTION MS 9/05E

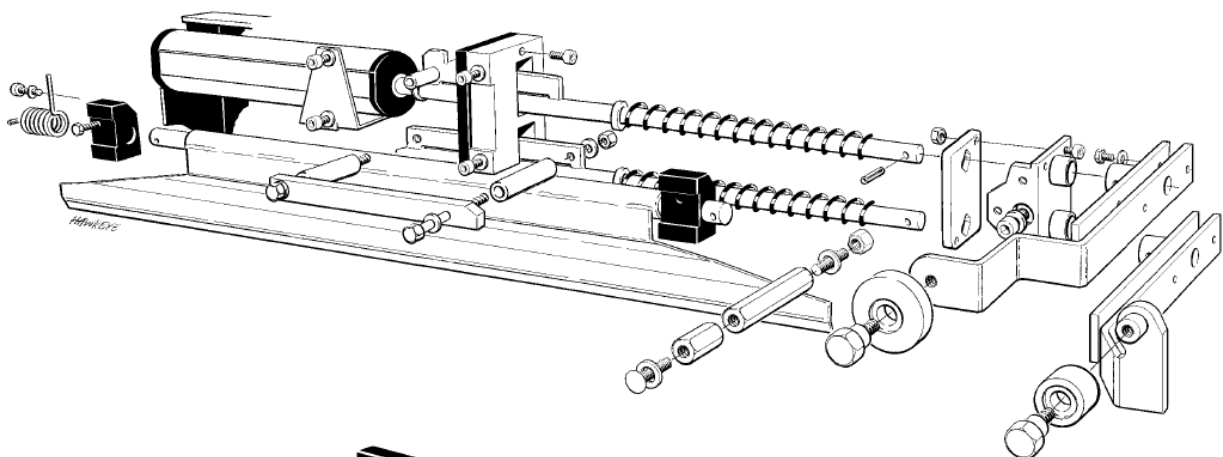
Sid/Page 1/5

Utfärdare Issued by Aussteller Bertil Nyström	Datum Date Datum 2005-11-17	Produkt Product Produkt SE Lifts
Från maskin nr. From machine No. Von Maschine Nr. -	Till To Zu -	Berör/Concerns/Betrifft Actuator for cage door interlock

The actuator for the cage door interlock is replaced by a new type, which is stronger and has a higher IP rating. Furthermore, an extra guiding plate for the outgoing piston is added.

The older design of the actuator, part No. 3002 228-001 (description D 06) is replaced with a new design, part No. 3002 228-010 (description D 08)

Below drawing (only typical) shows the latest design of the door interlock.



Please forward this instruction to all people concerned before inserting it in your Service Manual under index 2, Service Instructions!

Form approved by Anders Nilsson, After Sales Manager. Date: 2005-02-28

Alimak AB

Important !

1/

When ordering a new replacement actuator, the serial No. and the order No. for the actual lift shall be indicated. This must be done to ensure that the applicable mounting module with new necessary attachment components and instructions can be specified and delivered.

See the attached rebuilding drawings:

Drawing No. 9103290-SUB for older design of complete door interlocking

Drawing No. 9101444-SUB for later design of complete door interlocking

2/

To ensure a good function of the door interlock with the actuator, the mounting instructions in the standard Installation Manual and the shown adjusting/mounting measurements on the attached drawing must be followed.

See drawing No. 9102466-SUB!

Please forward this instruction to all people concerned before inserting it in your Service Manual under index 2, Service Instructions!

Form approved by Anders Nilsson, After Sales Manager. Date: 2005-02-28

