

SERVICE INSTRUCTION

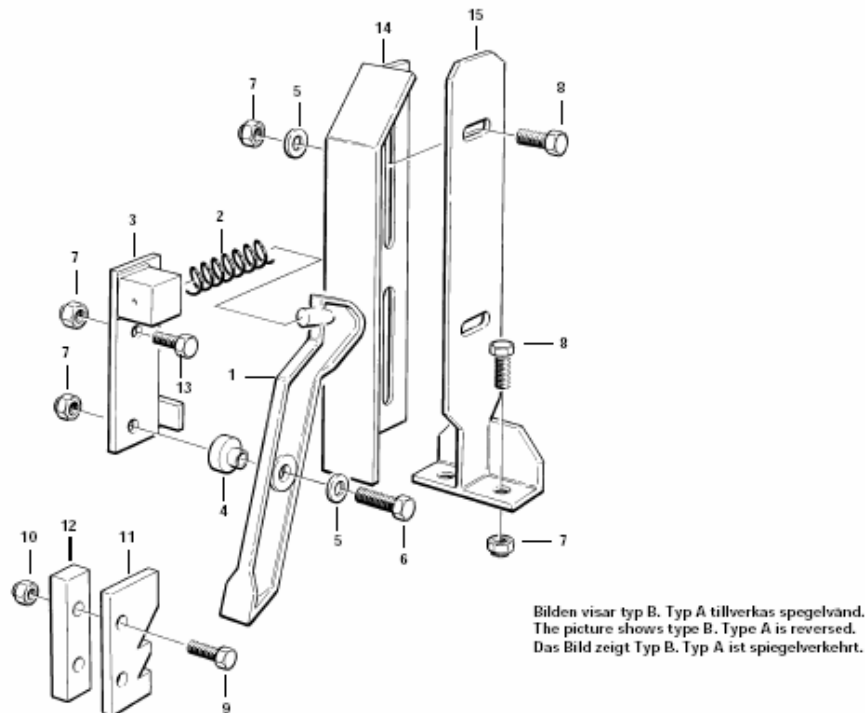
Issued by:	Marius Andel	Ref. No.	SM-090429	Date:	29-Apr-09
Product(s):	Alimak Scando & Scando Super Construction Hoists, single or twin, TD or ID, DOL, FC or Hydraulic		Type:	10/20, 12/20, 20/20, 10/32, 20/30, 20/32, 20/37, 24/32, 24/37, 28/32, 28/37, 24/42, 28/42, 32/40	
Component(s):	Interlocking Device for Car Door ("Cocky Catch")				

SAFETY ALERT

Please be advised that an incident has occurred on a construction site where the door of an Alimak hoist cage has opened during travel.

WorkSafe Victoria have investigated the incident on site and visited our premises, visit # V01010900881L, agreeing that this Safety Alert should be issued to all known owners of Alimak Construction hoists with doors suitable for this Interlocking Device.

In order to eliminate the risk of accidental door opening during travel, the Interlocking Device for Car Door (known also as "Cocky Catch"), Part # 9045390-500_rev.A is recommended to be fitted to all access doors of the car, i.e. Door A, B & C-Door (if provided).



All components are required to be verified to be in good functional and serviceable condition, within specified wear, tear and corrosion limits.

Alimak Hek Pty. Ltd. - A.B.N. 80 005 538 947

Melbourne – Head Office
2 Ausco Place
DANDENONG SOUTH, VIC, 3175
Ph: +61 (0) 3 8795 6789
Fax: + 61 (0) 3 8795 6790

Sydney Office
1-3 Ferndell Street
SOUTH GRANVILLE, NSW, 2142
Ph: +61 (0) 2 9790 9790
Fax: +61 (0) 2 9632 0292

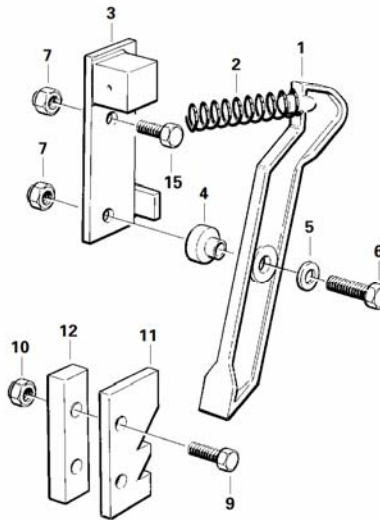
Internet: www.alimakhek.com.au

Brisbane Office
Unit 10/210 Robinson Road
GEEBUNG, QLD, 4034
Ph: +61 (0) 7 3865 8188
Fax: +61 (0) 7 3865 8488

SERVICE INSTRUCTION

The local Part # for the Hook is 9100095-100, as per the spare parts manual page below:

	Reg. No. 4 : 61324
	Date: 03 - 09 - 01



Pos. Item	Benämning	Description	Bennennung	Beteckning Designation Bezeichnung	Antal Qty. Anzahl	Rekv. nr. / Part No. / Bestell Nr.		
						Målad Painted Gestrichen	Förzinkad Galvanized Verzinkt	Rostfritt stål Stainl. steel Rostf. Stahl
1	Hake	Hook	Haken		1		9100095-100	
2	Tryckfjäder	Compression spring	Druckfeder		1	0414850-000		
3	Fäste	Bracket	Befestigung		1		9036677-200	
4	Distanshylsa	Distance sleeve	Distanzhülse		1	9036679-000		
5	Bricka	Washer	Scheibe	BRB 10.5x20x2 -fzv	1		3000091-173	
6	Skruv	Screw	Schraube	M6S 10x50 -8.8-fzv	1		3000071-501	
7	Låsmutter	Lock nut	Anzugmutter	L-K M6M 10 -8.-fzb	1		3000438-120	
8								
9	Skruv	Screw	Schraube	M6S 8x35 -8.8-fzv	2		3000071-457	
10	Låsmutter	Lock nut	Anzugmutter	L-K M6M 8 -8.-fzb	2		3000438-118	
11	Anslag	Stop plate	Anschlag		1		9036678-000	
12	Distans	Spacer	Distanz		1		9036680-000	
13								
14								
15	Skruv	Screw	Schraube	M6S 10x16 -8.8-fzv	1		3000071-489	
1 - 15	Kompl. förregling	Compl. interl. device	Kompl. Verriegelung		1		9045390-500 rev. A	

The installation, operation, functional checks and service are to be completed in accordance with Alimak Instructions for Spare Parts (Manual Part # 0461691), Installation (Manual Part # 9037093-1), Operation and Maintenance (Manual Part # 9023764-1) and Technical Description (Manual Part # 9023775-1).

Alimak Hek Pty. Ltd. - A.B.N. 80 005 538 947

Melbourne – Head Office
2 Ausco Place
DANDENONG SOUTH, VIC, 3175
Ph: +61 (0) 3 8795 6789
Fax: + 61 (0) 3 8795 6790

Sydney Office
1-3 Ferndell Street
SOUTH GRANVILLE, NSW, 2142
Ph: +61 (0) 2 9790 9790
Fax: +61 (0) 2 9632 0292

Internet: www.alimakhek.com.au

Brisbane Office
Unit 10/210 Robinson Road
GEEBUNG, QLD, 4034
Ph: +61 (0) 7 3865 8188
Fax: +61 (0) 7 3865 8488

SERVICE INSTRUCTION

INSTALLATION INSTRUCTION

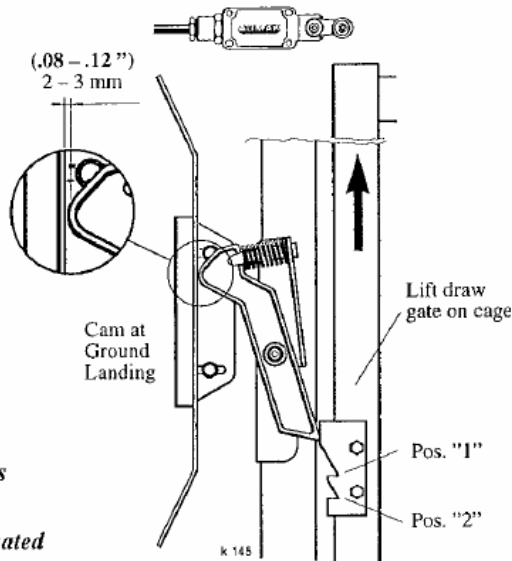
Install the cam for the cage gate interlocking acc. to figure.

Check the adjustment of the NC electric switch:

Position "1" = electric switch NOT actuated.
Position "2" = electric switch actuated.

IMPORTANT! Adjust the position of the NC electric switch to be actuated AFTER the hook is operated.

Note that the NC switch MUST NOT be actuated when you pull and push a closed and locked door.



An Electric Limit Switch is recommended to be installed for each door, in conjunction with the Interlocking Device, as per this diagram, either side of the door.

The complete assembly fully installed is pictured in the next photo:

NC Electric Switch

Bracket # 9036677-200

Spring # 0414850-000

Hook # 9100095-100

Stop plate # 9036678-000
Spacer # 9036680-000



Please feel free to contact Alimak Hek Pty. Ltd. if any further assistance is required.

Alimak Hek Pty. Ltd. - A.B.N. 80 005 538 947

Melbourne – Head Office
2 Ausco Place
DANDENONG SOUTH, VIC, 3175
Ph: +61 (0) 3 8795 6789
Fax: + 61 (0) 3 8795 6790

Sydney Office
1-3 Ferndell Street
SOUTH GRANVILLE, NSW, 2142
Ph: +61 (0) 2 9790 9790
Fax: +61 (0) 2 9632 0292

Internet: www.alimakhek.com.au

Brisbane Office
Unit 10/210 Robinson Road
GEEBUNG, QLD, 4034
Ph: +61 (0) 7 3865 8188
Fax: +61 (0) 7 3865 8488