

# ALIMAK TC-2

## Technical Data

### CAPACITY

Pay-load capacity	200 kg or 2 persons
Average speed up/down at rated pay load 50 (60)Hz	0.43 (0.51)m/s
Max. lifting height with std. accessories	100 m
<i>Increased lifting height on request</i>	

### CAR DIMENSIONS

Internal width x length	0.7 x 0.8 m
Internal height	2.15 m
Door opening w x h	0.59 x 2.0 m
Headroom required above top landing	4.5 m

### ELECTRICAL DATA

Power supply range	380 – 690 V, 660 – 690 V; 50 Hz 440 – 480 V; 60 Hz, 3-phase
--------------------	--

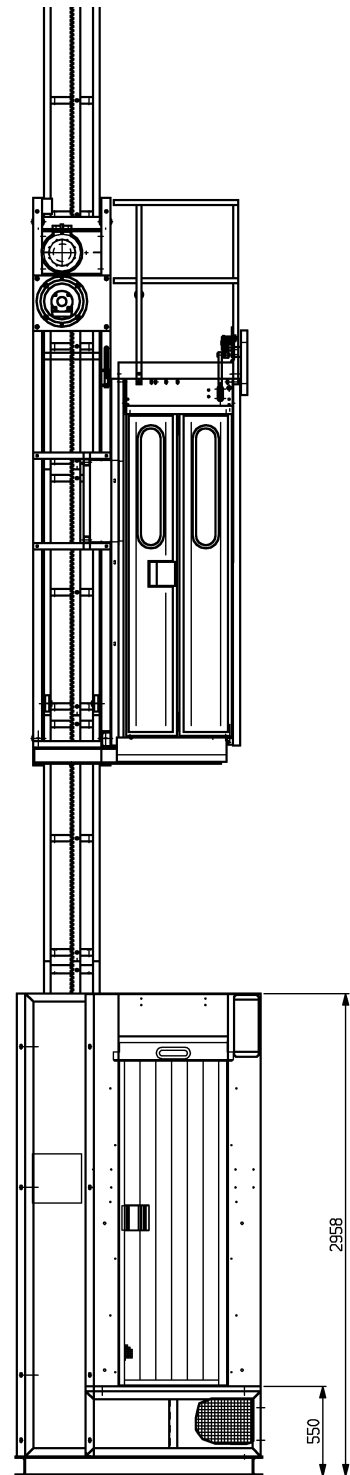
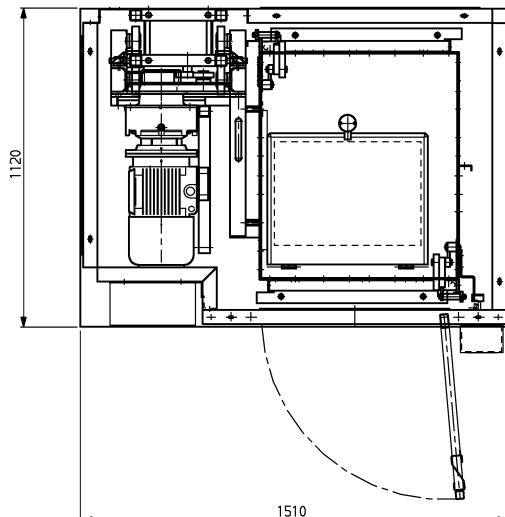
#### At 380 V 50 Hz:

Power supply fuses	16 A
Rated power cont. duty	1 x 4 kw
Rated power 25% int.	1 x 6 kw
Starting current	59 A
Power consumption	8 kVA

*Data on other voltages on request*

### WEIGHTS

Base unit (approx.)	1000 kg
Car weight (approx.)	600 kg
1508 mm mast section	46 kg





Alimak AB, P.O. Box 720, SE-931 27 Skellefteå, Sweden.  
Tel. +46 910 87000. Fax +46 910 56690.  
E-mail: [info@alimak.se](mailto:info@alimak.se) Web site: [www.alimak.com](http://www.alimak.com)

Alimak have subsidiaries in: Great Britain, Germany, France, USA, Canada, Australia, Singapore, Brazil, Italy as well as in South Korea and, furthermore, 40 independent distributors around the world.

Pictures are illustrative only and do not necessarily show the configuration of products on the market at a given point in time. Products must be used in conformity with safe practice and applicable statutes, regulations, codes and ordinances. Specifications of products and equipment shown herein are subject to change without notice.

Copyright © 2000 Alimak AB. All rights reserved. ALIMAK is a registered trademark of Alimak AB.